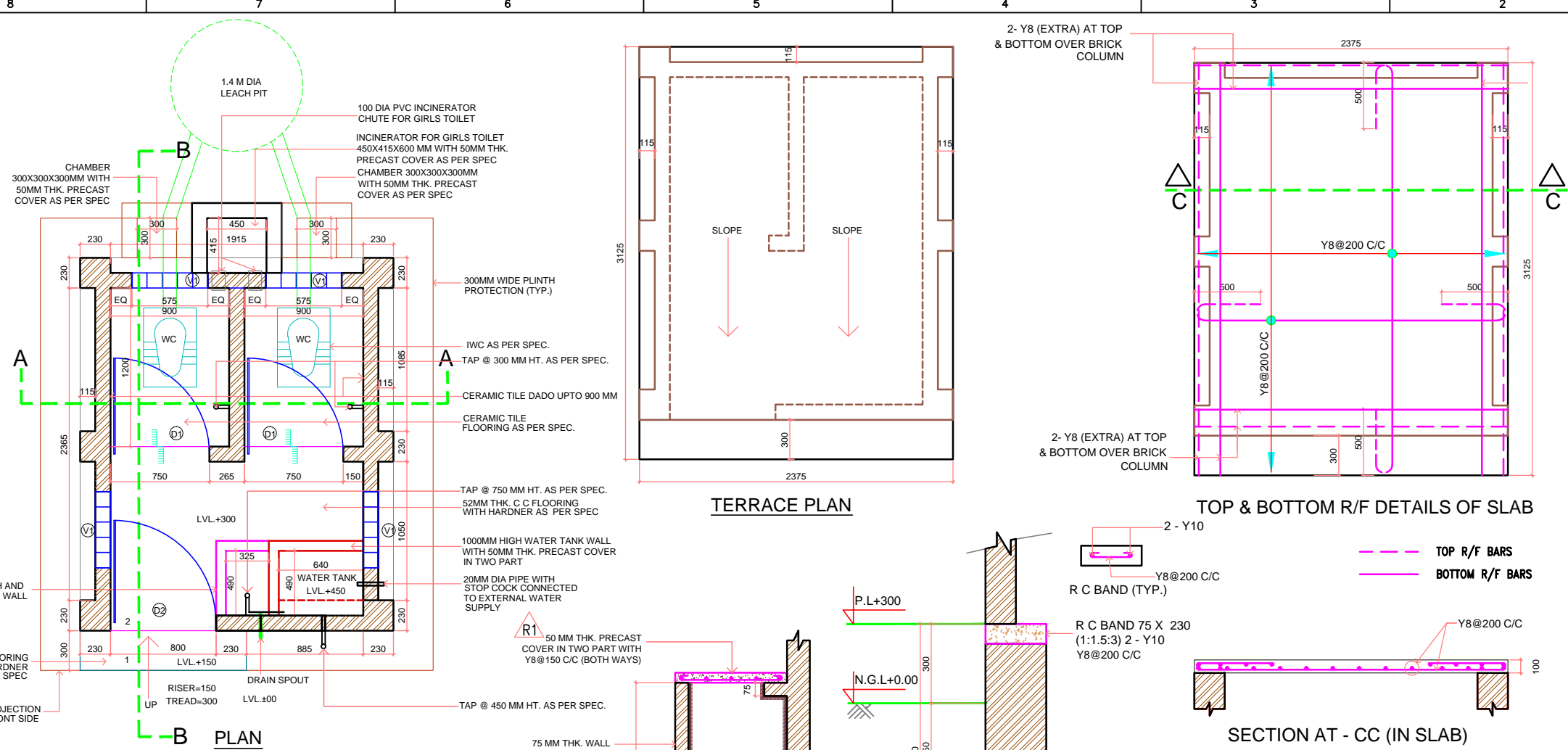


This document is the property of NTPC LTD. No part of this document will be reproduced by any means without the written permission.

- NOTES:**
- THIS DESIGN IS VALID FOR BRICK STRENGTH NOT BELOW 35KG/SQ.CM. FINANCIAL IMPLICATION MAY BE TAKEN CARE BY EIC.
 - FOUNDATION DESIGN IS INDICATIVE & MAY NEED REVIEW BASED ON LOCAL SITE CONDITIONS.
 - MORTAR 1:4 FOR 115MM THICK MASONRY. NO REINFORCEMENT BARS IN ALTERNATE COURSES.
 - CONCRETE GRADE - 1:1.5:3 & STEEL GRADE - FE 500.
 - FLY ASH BRICKS, IF AVAILABLE, SHALL BE USED IN SUPERSTRUCTURE ONLY IN PLACE OF FPS (NON MODULAR) BRICK. FINANCIAL IMPLICATION MAY BE TAKEN CARE BY EIC.
 - NO WATER SUPPLY OR WASTE WATER CARRYING PIPE SHALL BE CONCEALED IN THE MASONRY WALL. IT SHALL BE EXPOSED AND FIXED WITH CLIPS.
 - IN CASE THE MASONRY SPECIFICATION IS CHANGED FROM THAT GIVEN HERE, MAINTAIN THE INTERNAL CLEAR DIMENSIONS OF THE LAYOUT AND PROVIDE SUITABLE REDESIGNED FOUNDATION.
 - ROOF OVERHANG AND ITS ANCHORAGE DESIGN MAY NEED REVIEW IN CYCLONE PRONE REGIONS.
 - IN CASE ROOF SPECIFICATIONS ARE CHANGED FROM RCC, PROVIDE SUITABLE STRENGTHENING OF MASONRY WHILE MAINTAINING ALL INTERNAL CLEARANCES IN THE LAYOUT DESIGN.
 - LOCATION OF LEACH PIT, WASTE DRAINAGE PIPES & INSPECTION CHAMBER IS INDICATIVE ONLY. ACTUAL LOCATION TO BE DECIDED BASED ON SITE CONDITION.
 - MINIMUM DISTANCE OF LEACHING PIT FROM THE BUILDING FOUNDATION TO BE 125CM.
 - DESIGN OF LEACH PIT SHOWN IS FOR 160 CHILDREN WITH ITS VOLUME SUFFICIENT FOR CATERING APPROXIMATELY SIX MONTHS IN DIFFERENT SOIL TYPES. FOR HIGHER CAPACITY OR LONGER DURATION DESIGN WILL NEED REVIEW.
- NOTE FOR GIRL'S * TOILET:**
- ONE MASONRY INCINERATOR TO BE PROVIDED IN GIRLS TOILET ONLY.
 - INCINERATOR TO HAVE ONE 100 DIA. PVC CHUTE FROM EACH WC.

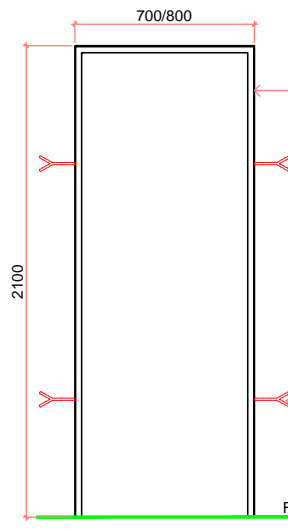


SCHEDULE OF OPENING		
NAME	SIZE (wXh)	SPECIFICATION
D1	750X2100	M.S DOOR WITH ANGLE FRAME
D2	800X2100	M.S DOOR WITH ANGLE FRAME
V1	575X345	JALLI H.B.W

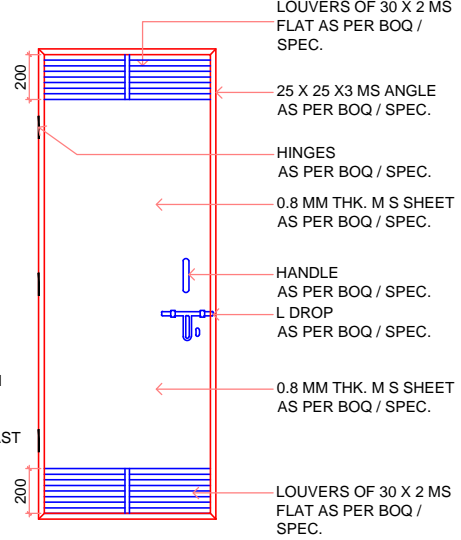
RELEASED FOR CONSTRUCTION

REV. NO.	DESCRIPTION	DESIGN	CHKD.	CIVIL	ARCH.	APPD.	DATE	SIZE	SCALE	DRG. NO.	REV. NO.
R1	REVISION AS MARKED						02.03.15	A3	1:50	0011-510-TOA-C-501	R1

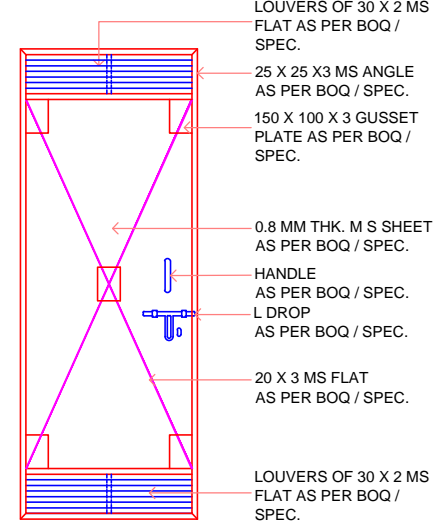
PROJECT: **NTPC FOUNDATION**
TITLE: **GIRL'S*/BOY'S TOILET LAYOUT (115 BRICK WALL)**



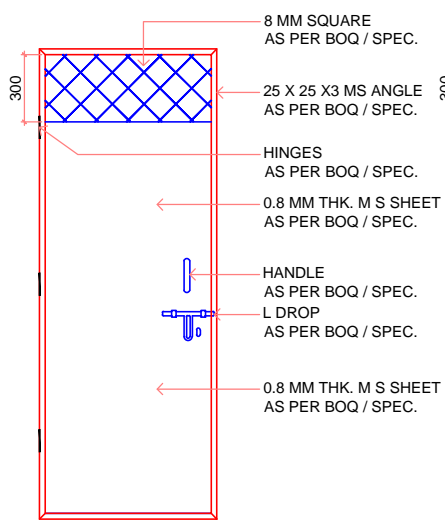
DOOR FRAME
D1 / D2



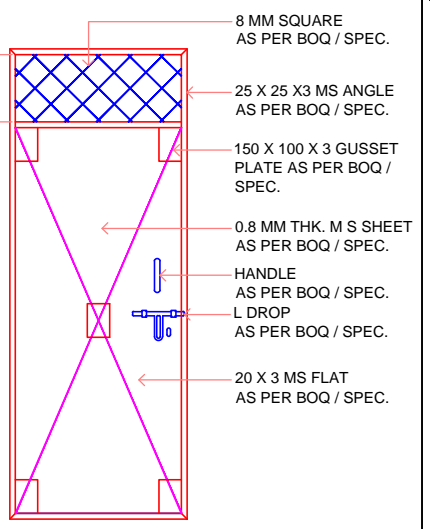
DOOR OUTSIDE ELE.
D1



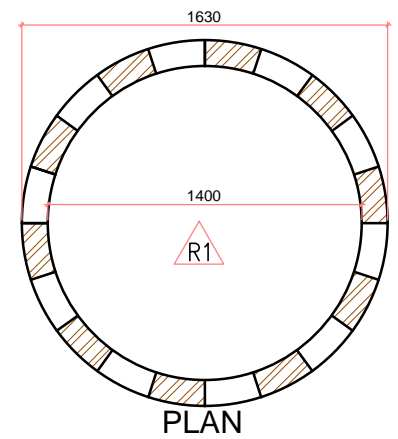
DOOR INSIDE ELE.
D1



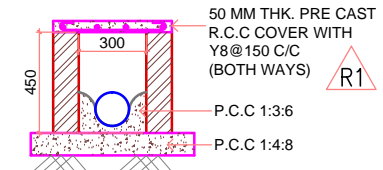
DOOR OUTSIDE ELE.
D2



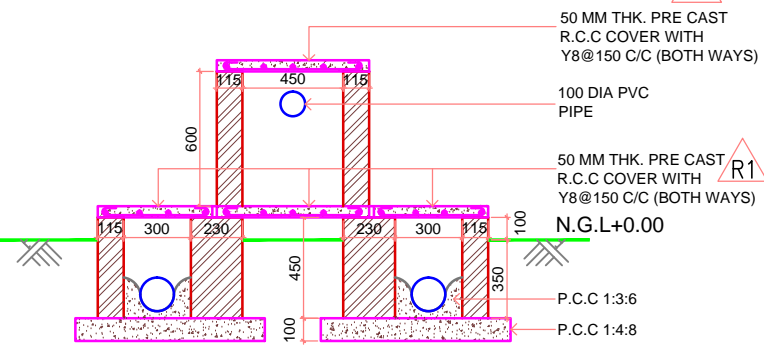
DOOR INSIDE ELE.
D2



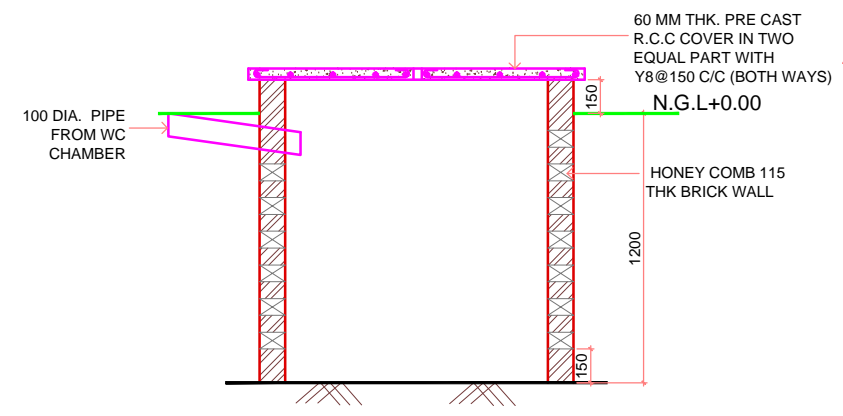
PLAN



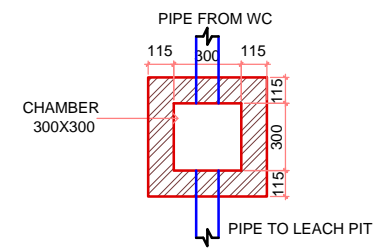
SECTION - AB



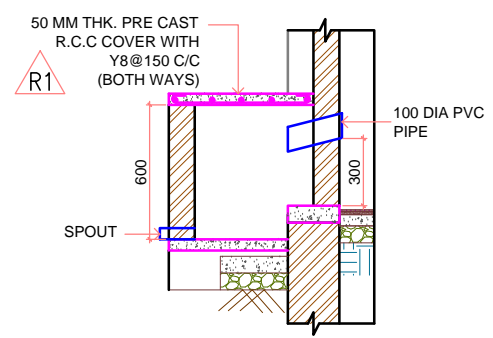
SECTION @ CHAMBER AND INCINERATOR



LEACH PIT SECTION



CHAMBER PLAN



INCINERATOR SECTION

NOTES:

- THIS DESIGN IS VALID FOR BRICK STRENGTH NOT BELOW 35KG/SQ.CM. FINANCIAL IMPLICATION MAY BE TAKEN CARE BY EIC.
- FOUNDATION DESIGN IS INDICATIVE & MAY NEED REVIEW BASED ON LOCAL SITE CONDITIONS.
- MORTAR 1:4 FOR 115MM THICK MASONRY. NO REINFORCEMENT BARS IN ALTERNATE COURSES.
- CONCRETE GRADE - 1:1.5:3 & STEEL GRADE - FE 500.
- FLY ASH BRICKS, IF AVAILABLE, SHALL BE USED IN SUPERSTRUCTURE ONLY IN PLACE OF FPS (NON MODULAR) BRICK. FINANCIAL IMPLICATION MAY BE TAKEN CARE BY EIC.
- NO WATER SUPPLY OR WASTE WATER CARRYING PIPE SHALL BE CONCEALED IN THE MASONRY WALL. IT SHALL BE EXPOSED AND FIXED WITH CLIPS.
- IN CASE THE MASONRY SPECIFICATION IS CHANGED FROM THAT GIVEN HERE, MAINTAIN THE INTERNAL CLEAR DIMENSIONS OF THE LAYOUT AND PROVIDE SUITABLE REDESIGNED FOUNDATION.
- ROOF OVERHANG AND ITS ANCHORAGE DESIGN MAY NEED REVIEW IN CYCLONE PRONE REGIONS.
- IN CASE ROOF SPECIFICATIONS ARE CHANGED FROM RCC, PROVIDE SUITABLE STRENGTHENING OF MASONRY WHILE MAINTAINING ALL INTERNAL CLEARANCES IN THE LAYOUT DESIGN.
- LOCATION OF LEACH PIT, WASTE DRAINAGE PIPES & INSPECTION CHAMBER IS INDICATIVE ONLY. ACTUAL LOCATION TO BE DECIDED BASED ON SITE CONDITION.
- MINIMUM DISTANCE OF LEACHING PIT FROM THE BUILDING FOUNDATION TO BE 125CM.
- DESIGN OF LEACH PIT SHOWN IS FOR 160 CHILDREN WITH ITS VOLUME SUFFICIENT FOR CATERING APPROXIMATELY SIX MONTHS IN DIFFERENT SOIL TYPES. FOR HIGHER CAPACITY OR LONGER DURATION DESIGN WILL NEED REVIEW.

NOTE FOR GIRL'S * TOILET:

- ONE MASONRY INCINERATOR TO BE PROVIDED IN GIRLS TOILET ONLY.
- INCINERATOR TO HAVE ONE 100 DIA. PVC CHUTE FROM EACH WC.

RELEASED FOR CONSTRUCTION

PROJECT		NTPC FOUNDATION	
TITLE		GIRL'S*/BOY'S TOILET LAYOUT (115 BRICK WALL)	
REVNO.	DESCRIPTION	DESIGN	CHKD.
R1	REVISION AS MARKED		
R0	RELEASED FOR CONSTRUCTION		
DATE	02.03.15	APPD	
DATE	12.01.15	DATE	
SIZE	A3	SCALE	1:50
DRG. NO.	0011-510-T0A-C-502		REV. NO.
			R1

